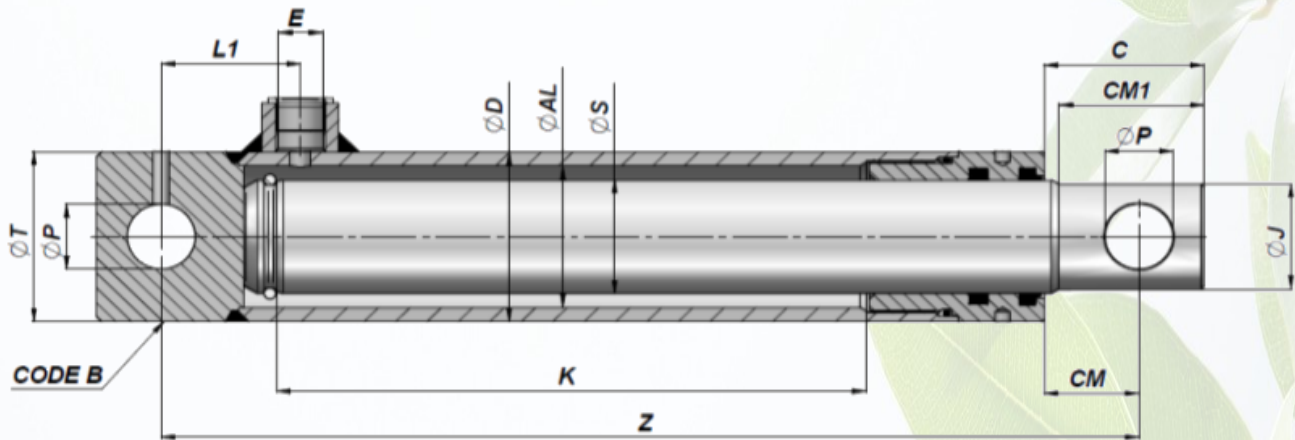
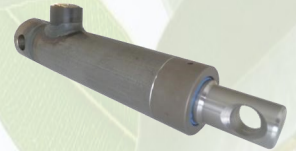


Single acting cylinder - fixed eye



Item no.	K	Z	KG	E	L1	ØP	CM	C	Ø3	CM1	ØT	Code B
ØD40 ØAL30 ØS25												
EF30/25-100	100	190	1,63									CFHR030014030
EF30/25-150	150	240	2,04									
EF30/25-200	200	290	2,44	3/8"	40	14,10	24	38	22	35	40	
EF30/25-250	250	340	2,85									
EF30/25-300	300	390	3,26									
ØD50 ØAL40 ØS30												
EF40/30-200	200	300	3,61									CF04005016
EF40/30-250	250	350	4,16									
EF40/30-300	300	400	4,72									
EF40/30-350	350	450	5,27	3/8"	42	16,20	26	42	27	37	50	
EF40/30-400	400	500	5,82									
EF40/30-550	550	650	7,30									
EF40/30-700	700	800	9,18									
ØD60 ØAL50 ØS40												
EF50/40-200	200	330	6,00									CFHR050023050
EF50/40-250	250	380	6,84									
EF50/40-300	300	430	7,67									
EF50/40-350	350	480	8,49	3/8"	47	23,10	32	54	37	49	60	
EF50/40-400	400	530	9,32									
EF50/40-550	550	680	11,70									
EF50/40-700	700	830	14,10									



TAON Hydraulic Components ApS are specialists in hydraulic solutions, components and tool.
 TAON Hydraulic Components ApS • +45 24 48 84 80 • info@taon.dk • www.taon-hydraulic.com
 © TAON Hydraulic will always help you find the best solution.

Single acting cylinder - fixed eye

Item no.	K	Z	KG	E BSP	L1	ØP	CM	C	Ø3	CM1	ØT	Code B
ØD70 ØAL60 ØS30												
EF60/50-300	300	460	11,80									CFHRT07060
EF60/50-400	400	560	14,00									
EF60/50-550	550	710	17,50	3/8"	50	25,50	49	74	47	65	65	
EF60/50-700	700	860	21,00									
ØD80 ØAL70 ØS60												
EF70/60-200	200	360	12,26									CFHRT08070
EF70/60-300	300	460	15,40									
EF70/60-400	400	560	18,53	3/8"	50	25,25	36	61	57	57	75	
EF70/60-550	550	710	23,24									
EF70/60-700	700	860	27,95									
ØD90 ØAL80 ØS70												
EF80/70-300	300	509	22,66									CFHRT09080
EF80/70-400	400	609	26,94	3/8"	55	30,25	66	96	67	90	85	
EF80/70-500	500	709	31,23									

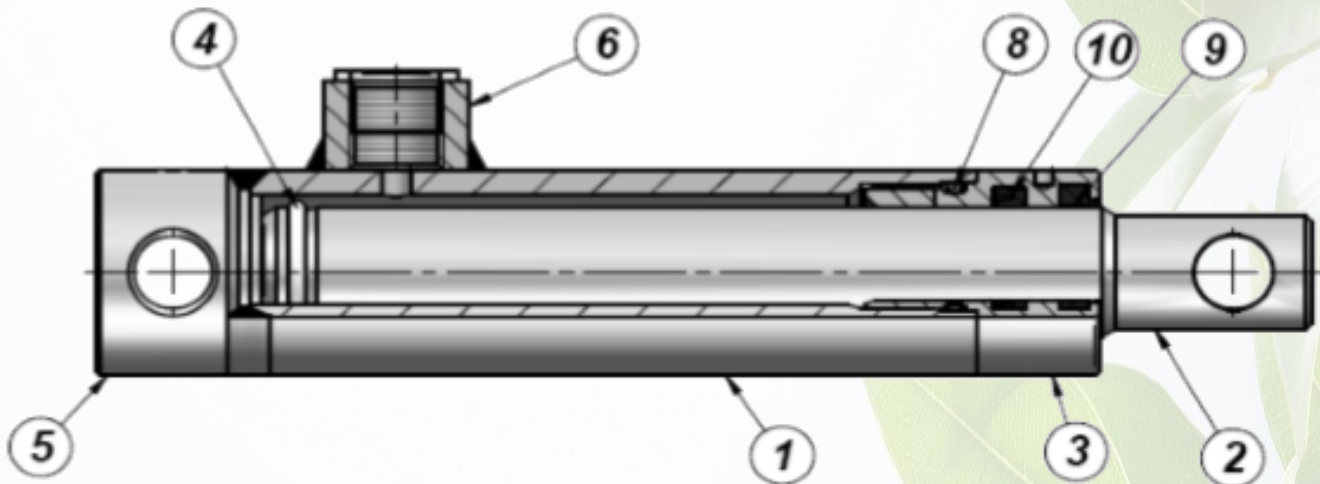
TUBE MATERIAL: STEEL St 52.3 DIN 2393 ISO H9

ROD MATERIAL: STEEL UNI C45 SAE 1045 CHROME 25 MICRON +/-5 Rating 9 / 120 h ISO 10289 - 1999/ISO 9227-NSS



TAON Hydraulic Components ApS are specialists in hydraulic solutions, components and tool.
 TAON Hydraulic Components ApS • +45 24 48 84 80 • info@taon.dk • www.taon-hydraulic.com
 © TAON Hydraulic will always help you find the best solution.

Single acting cylinder - fixed eye



Max. Pressure : 250 bar (**)

PRODUCT		MATERIAL		
1. Polished Tube		Steel:	St 52.3.DIN 2393 ISO H9	
2. Chromed Rod		Steel:	UNI C45 - SAE 1045 - Chrome 25 Micron +/-5 Rating 9/120 h ISO 10289 - 1999/ISO 9227-NSS	
3. Head-bush		Steel:	95Mn28 with "ni-temper" treatment	
4. Stop ring		Steel:	95Mn28	
5. End-Plug		Steel:	S355JO (Fe510C) - S355JR (A105)	
6. Threaded port		Steel:	95Mn28 - C22	
8. Seal	O-Ring	NBR 90 SHORE		
9. Seal	GHK	Polyurethane		
10. Seal	TSE-TTS-TTI/L	TSE:	NBR+Fabric	TTS-TTI/L: Polyurethane
11. Seal	O-Ring	NBR 70 SHORE		

Top Speed: max 0,5 m/s

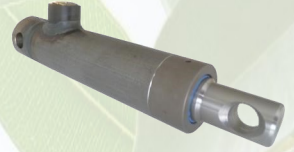
Temperature C°: -25°C - +80°C

(**) The pressure value is always to be checked depending on the application of the cylinders.

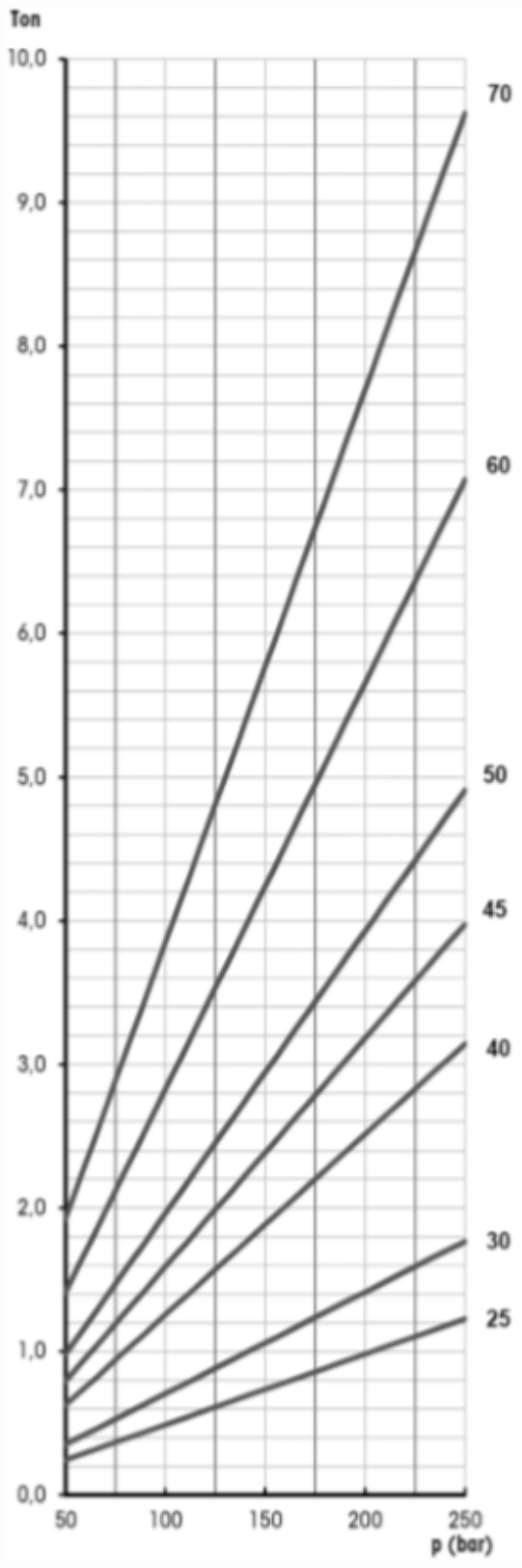


TAON Hydraulic Components ApS are specialists in hydraulic solutions, components and tool.
TAON Hydraulic Components ApS • +45 24 48 84 80 • info@taon.dk • www.taon-hydraulic.com
© TAON Hydraulic will always help you find the best solution.

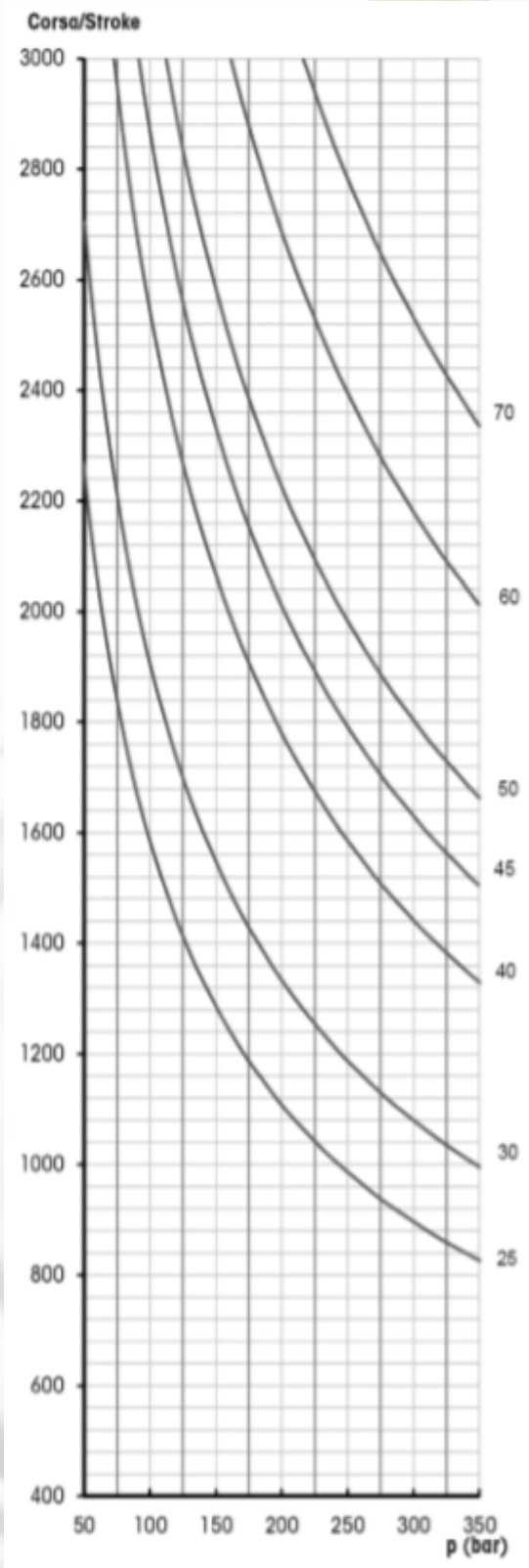
Single acting cylinder - fixed eye



OUTPUT FORCE



BUCKLING



TAON Hydraulic Components ApS are specialists in hydraulic solutions, components and tool.
TAON Hydraulic Components ApS • +45 24 48 84 80 • info@taon.dk • www.taon-hydraulic.com
© TAON Hydraulic will always help you find the best solution.