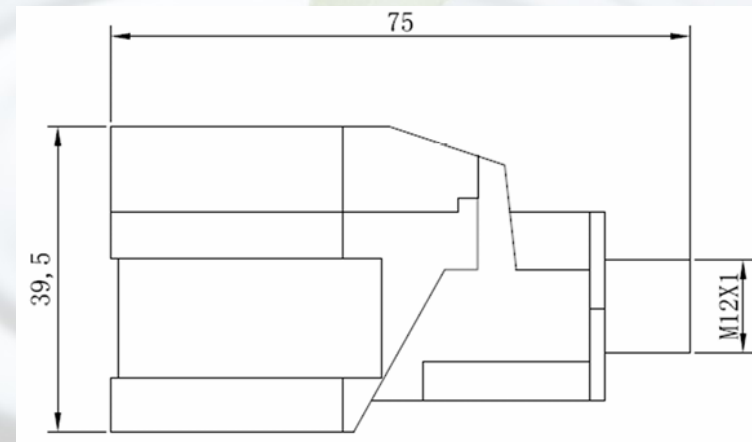
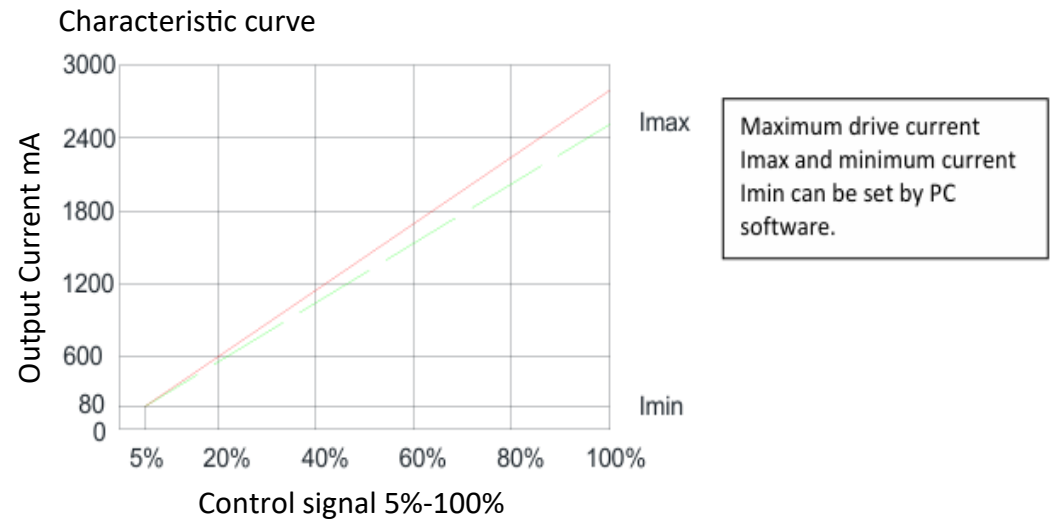


ADF-11AD2-3-52 Digital Proportional Amplifier



- Hirschmann Type A (DIN 43650 / EN 175301-803 Form A)
- Supply: 18-45V DC
- Control signal: 0-10V
- Output: 0~3 A (adjustable)



TAON Hydraulic Components ApS are specialists in hydraulic solutions, components and tools.

TAON Hydraulic Components ApS • +45 24 48 84 80 • info@taon.dk • taon-hydraulic.com.

© TAON Hydraulic will always help you find the best solution.

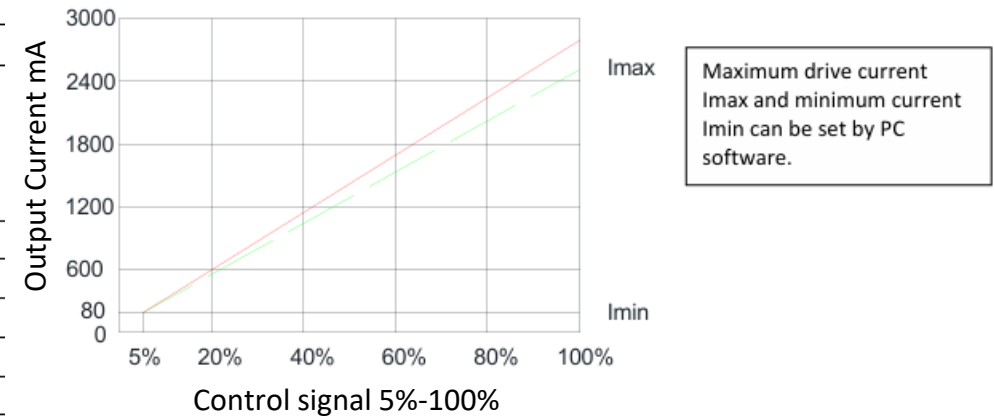
ADF-11AD2-3-52 Digital Proportional Amplifier

Technical Data

Module Shape (L×W×H)	90×35×40mm	
Supply Voltage	U_B	D2=DC12V-DC45V
Voltage Range		
–Upper limit value	$U_B(t)_{max}$	D2=45 VDC
–Lower Limit Value	$U_B(t)_{min}$	D2=12 VDC
Non-driving Current Consumption	I_{cmax}	40mA Consumption
Maximum driving current	I_{max}	0.4~3A, Adjustable
Minimum driving current	I_{zero}	0~2A Adjustable
Ramp Time	t	0.05 ~ 10 s Adjustable
Short circuit protection	I_S	8A@10us
Single-ended Voltage Input		
–Range	U	0~+10 V
–Input resistance	R_i	100 K Ω
–Resolving power		< 10 mV
–Nonlinearity		< 10 mV
Current input		
–Range	I	4~20mA
–Resolving power		<0.01mA
reference voltage	U	+10 V,
–Ripple voltage	I_{outmax}	10 mA < 20 mV
temperature drift	I_{drift}	< 0.15 mA/°C
Connection type	6-core connection	
Working temperature range	-40~70 °C	
Temperature range of storage	-40~85 °C	
Masse	0.15 kg	

Voltage version only

Characteristic curve



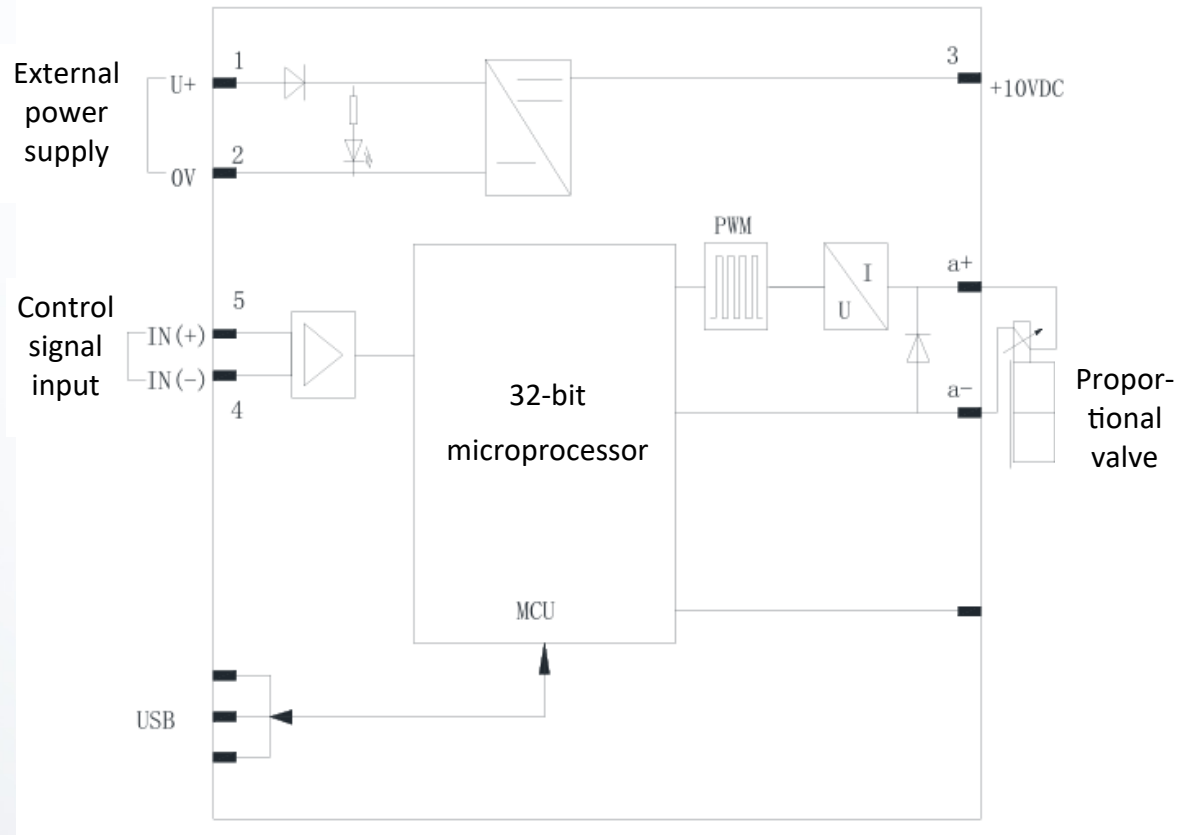
TAON Hydraulic Components ApS are specialists in hydraulic solutions, components and tools.

TAON Hydraulic Components ApS • +45 24 48 84 80 • info@taon.dk • taon-hydraulic.com.

© TAON Hydraulic will always help you find the best solution.

ADF-11AD2-3-52 Digital Proportional Amplifier

Schematic block diagram

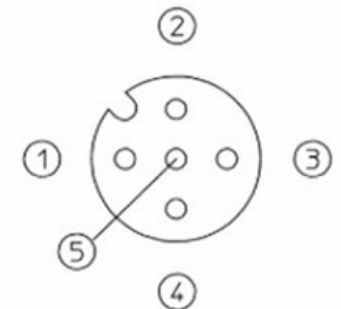
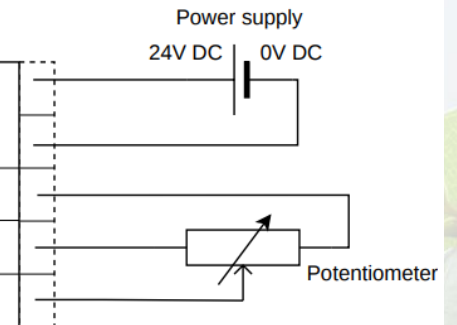


Connecting

Terminal Function

Pin 1	24V DC	Power supply
Pin 2	0V	
Pin 3	+10V	Reference voltage
Pin 4	IN-	Negative signal
Pin 5	IN+	Signal positive

Example of use



IEC 1159A

TAON Hydraulic Components ApS are specialists in hydraulic solutions, components and tools.

TAON Hydraulic Components ApS • +45 24 48 84 80 • info@taon.dk • taon-hydraulic.com.

© TAON Hydraulic will always help you find the best solution.