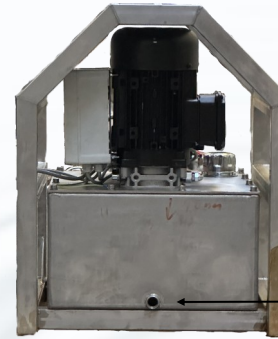
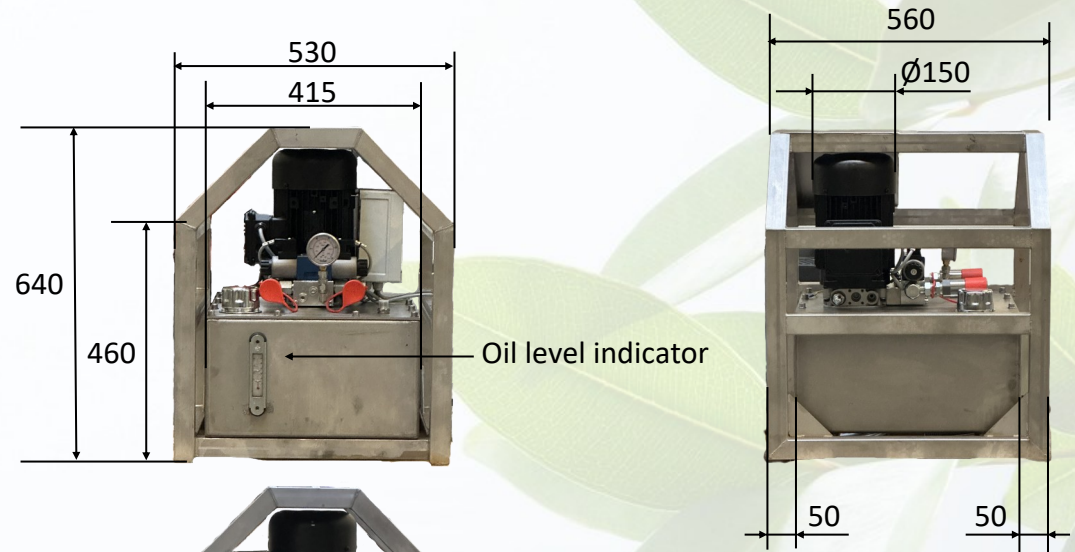
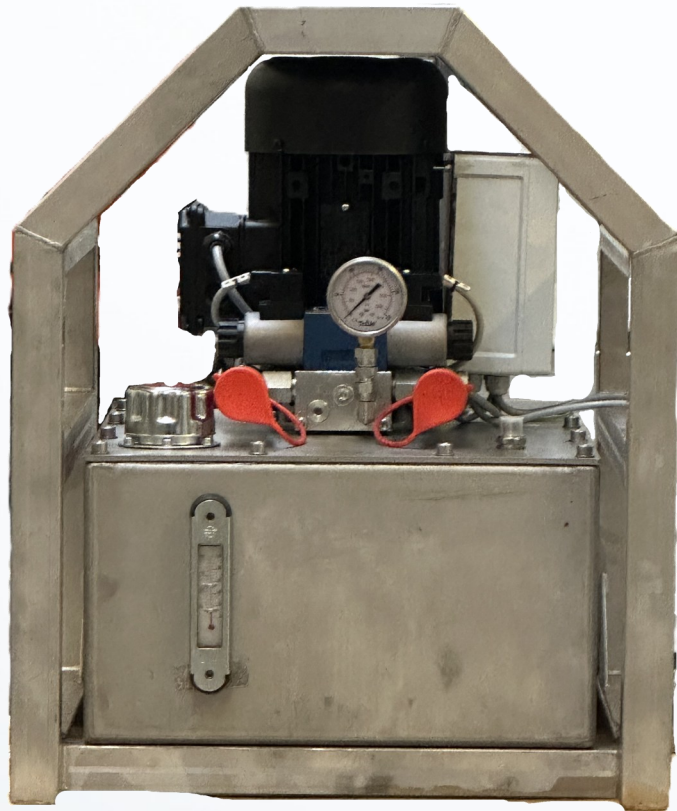


HPU-34 Hydraulic Power Unit

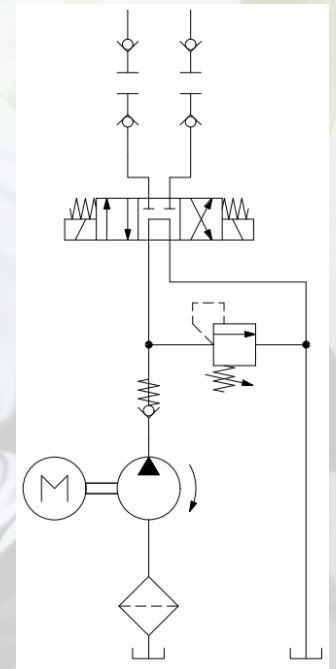


Drain plug in rear end

Hydraulic Circuit

P = 1/2"

T = 1/2"



ELECTRIC MOTOR

Power: 1,5 kW
Voltage: 230 V AC
1-phase

PUMP & OIL TANK

Pump displacement: 3,7 cc/rev
Tank Capacity: 40 liter square tank

MAX. PRESSURE

P: 170 bar

FLOW

4,5 L/min



TAON Hydraulic Components ApS are specialists in hydraulic solutions, components and tool.

TAON Hydraulic Components ApS • +45 24 48 84 80 • info@taon.dk • www.taon.dk

© TAON Hydraulic will always help you find the best solution.